

GENERIC SLIDES

Your Source for Linear Motion and Positioning Solutions.

Specializing in:

**Long Travels
Heavy Payloads
Application Specific Solutions**

Quality Products Since 1971
Terms & Conditions

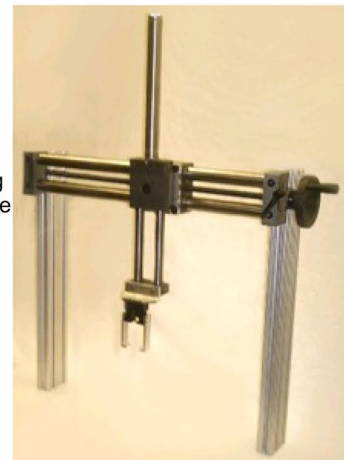


Get Your Quote Today!

Pick and Place Units

Pick and place units from Generic Slides are, "pre engineered", "pre-assembled", "ready-to-go", multi-axis positioning modules. These combined motion devices are constructed with the same robust, tried and proven technology of Generic Slides ms-series slide systems. Configured with one to four and axis of motion, and combinations of , manual, pneumatic, motorized, and programmable drives, they provide a "off-the-shelf" solution to automation, assembly, instrument loading, and material handling applications.

Generic Slides pick and place modules can be supplied as, mechanical hardware only assemblies, or as "plug and play" automation, ready to transfer parts between two or more locations. Custom designs are also available to meet customer specific requirements.



Standard Configurations:

Linear Motion

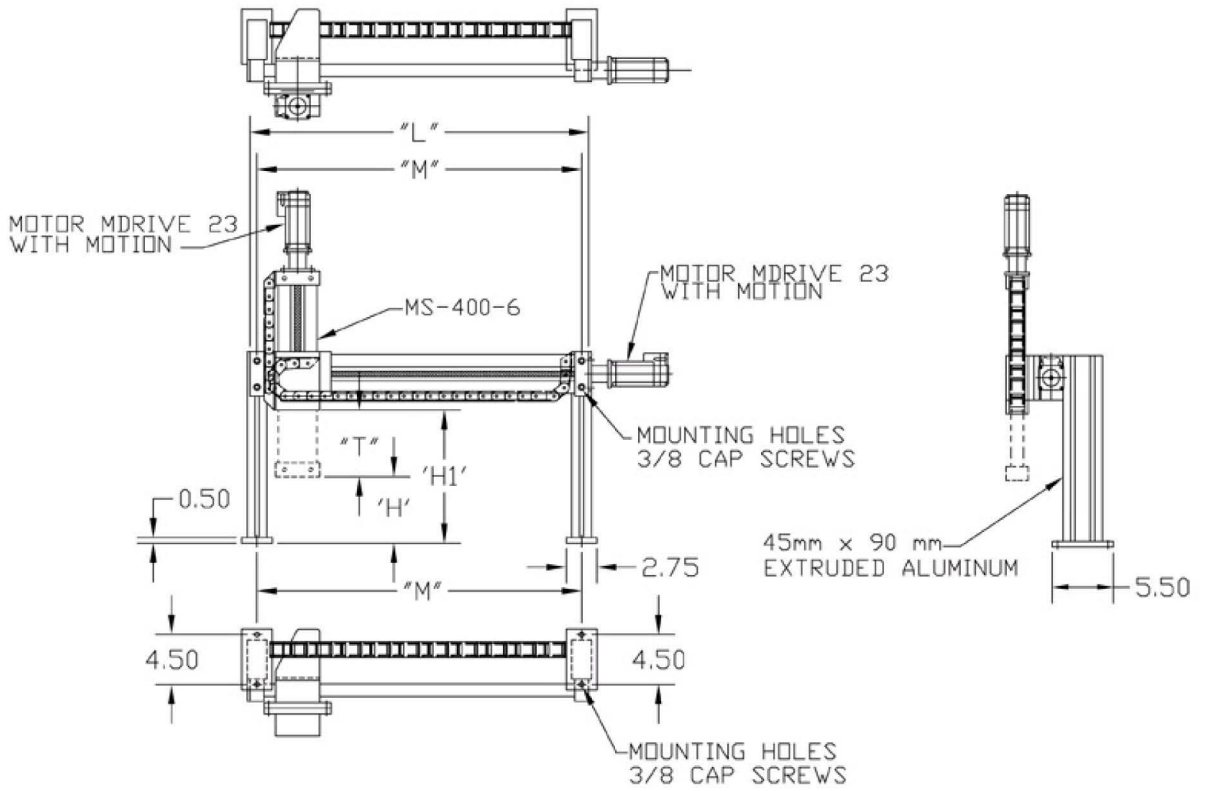
- PPX - Two post x-axis tabletop gantry.
- PPXZ - Two post x-axis tabletop gantry, with z axis
- PPXZR - Two post x-axis tabletop gantry, with z axis and rotary.
- PPY - Single post y-axis tabletop pick and place.
- PPYZ - Single post y-axis tabletop pick and place, with z-axis.
- PPYZR - Single post y-axis tabletop pick and place, with z-axis, and rotary.
- PPXY - Four post x-y axis tabletop gantry.
- PPXYZ - Four post x-y axis tabletop gantry with z-axis.
- PPXYZR - Four post x-y axis tabletop gantry with z-axis and rotary.

R-Theta Motion

- PPRT - Radial axis and trunk rotation.
- PPRTZ - Radial axis and trunk rotation, with z-axis

All configurations are available with grippers and gripper jaws, or custom end effectors.

All configurations are available with non-corrosive materials.



"T" = Travel	"H"	"H1"	"L"	"M"
1.00	6.00	7.00	7.50	6.25
2.00	6.00	8.00	8.50	7.25
3.00	6.00	9.00	9.50	8.25
4.00	6.00	10.00	10.50	9.25
5.00	6.00	11.00	11.50	10.25
6.00	6.00	12.00	12.50	11.25
8.00	6.00	14.00	14.50	13.25
10.00	6.00	16.00	16.50	15.25
12.00	6.00	18.00	18.50	17.25
14.00	6.00	20.00	20.50	19.25
16.00	6.00	22.00	22.50	21.25
18.00	6.00	24.00	24.50	23.25
24.00	6.00	30.00	30.50	29.25
30.00	6.00	36.00	36.50	35.25
36.00	6.00	42.00	42.50	41.25

GENERIC SLIDES