

GENERIC SLIDES

Your Source for Linear Motion and Positioning Solutions.

Specializing in:

Long Travels
Heavy Payloads
Application Specific Solutions

Quality Products Since 1971
Terms & Conditions



Get Your Quote Today!



Dovetail Slides

These dovetail slide sections are more tolerant to vibrations and shock loads than linear bearing slides. They provide low profile rigid mounting, for linear positioning of equipment, tooling, automation devices, and instrumentation.

Basic slide sections include a saddle, base, gib, and gib adjusting screws. When the saddle is longer than the base the way system is naturally protected without the need for bulky covers. Saddle and base mounting details are provided by the user to suite the application requirements.

GENERIC SLIDES standard dovetail slide sections are constructed from Hard-coat Aluminum, Cast Iron, Delrin, or Stainless Steel, PTFE surface treatment is also available.

Dovetail slide options include:

- Predrilled mounting holes
- Custom saddle and base lengths
- Lead screw positioning
- Table locks
- Positioning dials
- Digital position indicators
- Multi-access assemblies
- Motorized units



UDL - Series Dovetail Slide

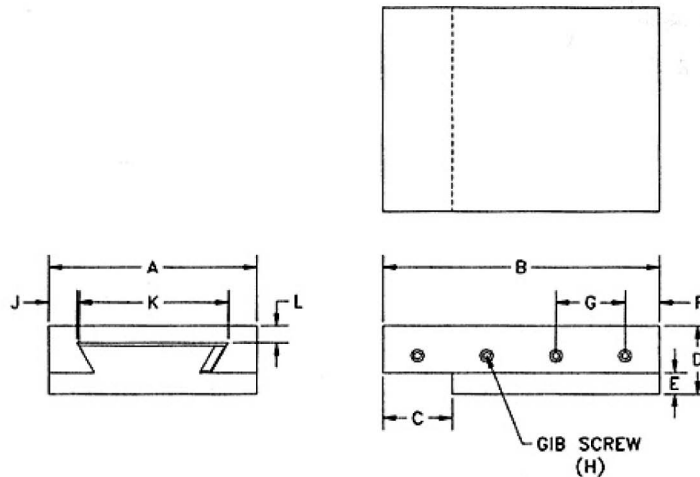


Classic Dovetail Slide



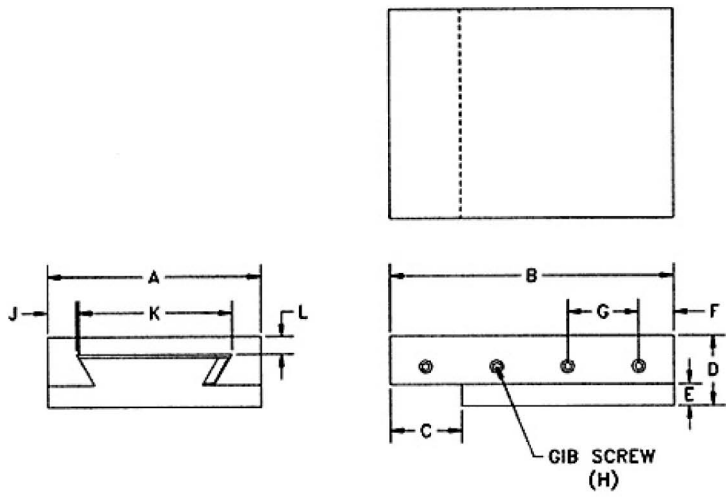
Classic Dovetail Slide with leadscrew

CLASSIC DOVETAIL SLIDES - HEAVY CROSS-SECTION



Model Number	Dimensions										
	A	B	C	D	E	F	G	H	J	K	L
LH4-8-2...	4	8	2	1.75	0.625	1	2	4	0.48	3.03	0.56
LH4-12-4...	4	12	4	1.75	0.625	1	2	6	0.48	3.03	0.56
LH6-12-4...	6	12	4	2.25	0.75	1	2	6	0.75	4.5	0.81
LH6-16-6...	6	16	6	2.25	0.75	1	2	8	0.75	4.5	0.81
LH8-18-6...	8	18	6	3	1	1	2	9	1.09	5.81	1.31
LH8-24-8...	8	24	8	3	1	1	2	12	1.09	5.81	1.31

CLASSIC DOVETAIL SLIDES - LIGHT CROSS-SECTION



Model Number	Dimensions											
	A	B	C	D	E	F	G	H	J	K	L	
DL2-3-75...	2	3	0.75	0.88	0.19	0.5	1	3	0.31	1.38	0.25	
DL2-4-1...	2	4	1	0.88	0.19	0.5	1.5	3	0.31	1.38	0.25	
DL2-6-2...	2	6	2	0.88	0.19	0.75	1.5	4	0.31	1.38	0.25	
DL3-4-1...	3	4	1	1	0.25	0.5	1.5	3	0.4	2.19	0.31	
DL3-5-1...	3	5	1	1	0.25	0.7	1.81	4	0.4	2.19	0.31	
DL3-6-2...	3	6	2	1	0.25	0.75	1.5	4	0.4	2.19	0.31	
DL4-6-1...	4	6	1	1.5	0.44	0.75	1.5	4	0.48	3.03	0.53	
DL4-8-2...	4	8	2	1.5	0.44	1	2	4	0.48	3.03	0.53	
DL4-12-3...	4	12	3	1.5	0.44	1	2	6	0.48	3.03	0.53	
DL6-8-2...	6	8	2	1.75	0.56	1	2	4	0.75	4.5	0.65	
DL6-12-4...	6	12	4	1.75	0.56	1	2	6	0.75	4.5	0.65	
DL6-16-4...	6	16	4	1.75	0.56	1	2	8	0.75	4.5	0.65	

