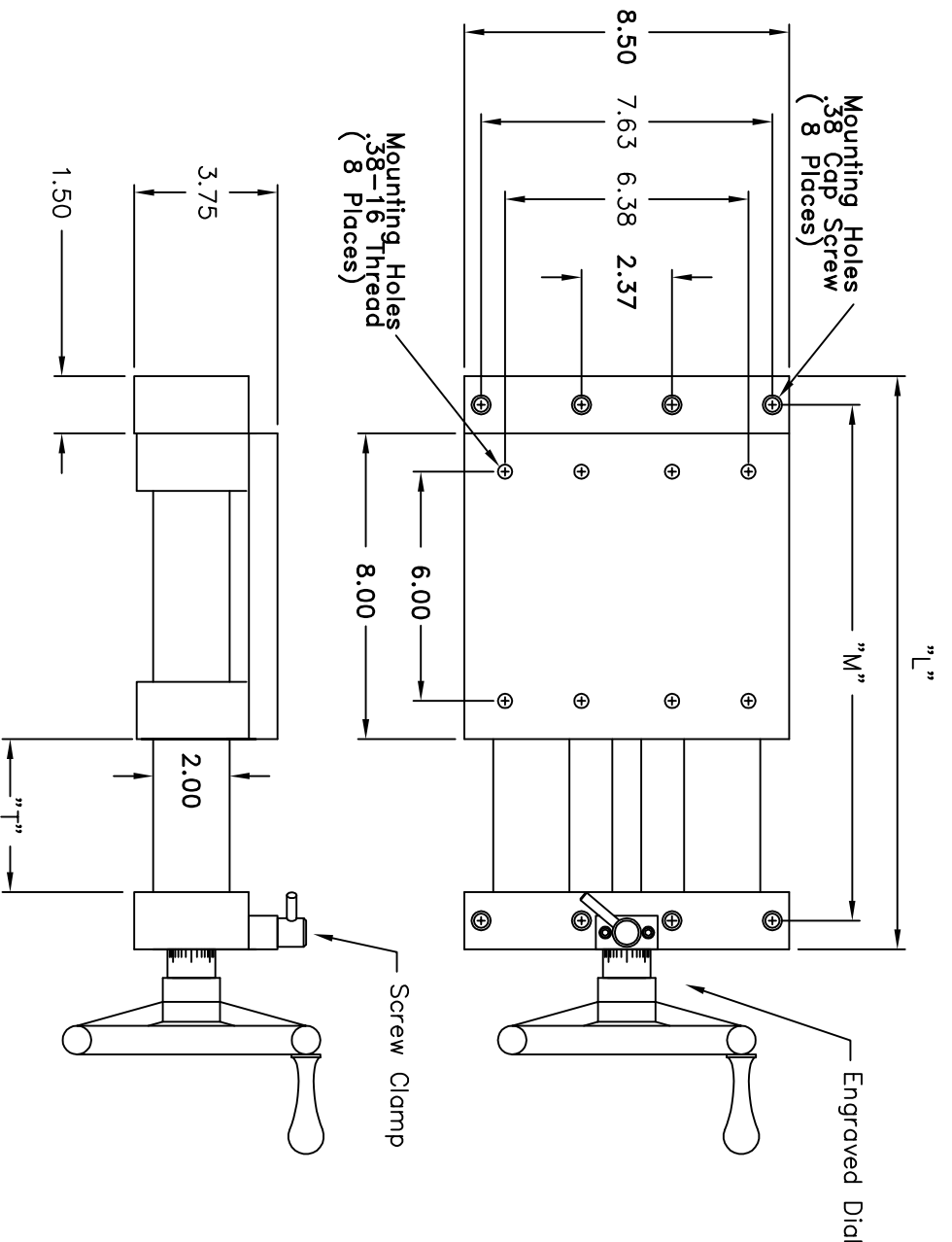


| "T" TRAVEL | "L" LENGTH | "M" MTG.CTR. |
|------------|------------|--------------|
| 1.00 | 12.00 | 10.5 |
| 2.00 | 13.00 | 11.5 |
| 3.00 | 14.00 | 12.5 |
| 4.00 | 15.00 | 13.5 |
| 5.00 | 16.00 | 14.5 |
| 6.00 | 17.00 | 15.5 |
| 8.00 | 19.00 | 17.5 |
| 10.00 | 21.00 | 19.5 |
| 12.00 | 23.00 | 21.5 |
| 14.00 | 25.00 | 23.5 |
| 16.00 | 27.00 | 25.5 |
| 18.00 | 29.00 | 27.5 |
| 24.00 | 35.00 | 33.5 |
| 30.00 | 41.00 | 39.5 |
| 36.00 | 47.00 | 45.5 |
| 42.00 | 53.00 | 51.5 |
| 48.00 | 59.00 | 57.5 |
| 54.00 | 65.00 | 63.5 |
| 60.00 | 71.00 | 69.5 |
| 66.00 | 77.00 | 75.5 |
| 72.00 | 83.00 | 81.5 |
| 84.00 | 95.00 | 93.5 |
| 96.00 | 107.00 | 105.5 |
| 108.00 | 119.00 | 117.5 |
| 120.00 | 131.00 | 129.5 |
| 132.00 | 143.00 | 141.5 |
| 144.00 | 155.00 | 153.5 |



| DATE | INITIAL |
|-------------|---------|
| DESCRIPTION | |

TOLERANCE AND MACHINING NOTES
(UNLESS OTHERWISE SPECIFIED)
DRAWING PRACTICES, GEOMETRIC SYMBOLS,
DIMENSIONING, TOLERANCING AND
INTERPRETATION BASED ON ANSI Y14.5.
COML. TOL. APPLY TO STOCK SIZES.

| | | | |
|----------|----------|----------|--------|
| 1 PL DEC | 2 PL DEC | 3 PL DEC | ANGLES |
| ± .06 | ± .02 | ± .005 | ± 0.5 |

DO NOT SCALE DWG.
UNLESS OTHERWISE SPECIFIED,
MACHINED SURFACE FINISH IS 125
DIMENSIONS ARE IN INCHES.
DEBURR ALL HOLES.
BREAK ALL SHARP EDGES.

1049 WILLIAM FLYNN HWY. SUITE 300, GLENSHAW, PA 15116

DATE: 1-20-99

DFTM. J.F.C.

DFTM. APPD.

GENERIC SLIDES

PROPRIETARY NOTICE
THIS DOCUMENT CONTAINS INFORMATION
WHICH IS PROPRIETARY TO GENERIC SLIDES
IT MAY NOT BE REPRODUCED, DISCLOSED
OR UTILIZED IN WHOLE OR IN PART
WITHOUT WRITTEN AUTHORIZATION.

| | | | | |
|-------------|---------------------|--------------|----|---|
| DWG. TITLE: | POSITIONING SLIDE | | | |
| MODEL NO.: | MS850SERIES OUTLINE | | | |
| TRAVEL: | MS850 | 00 | 00 | 1 |
| ITEM NO.: | | | | 1 |
| SHT.: | | | | 1 |
| REV.: | | | | 1 |
| SCALE: | N/A | DRAWING SIZE | | A |