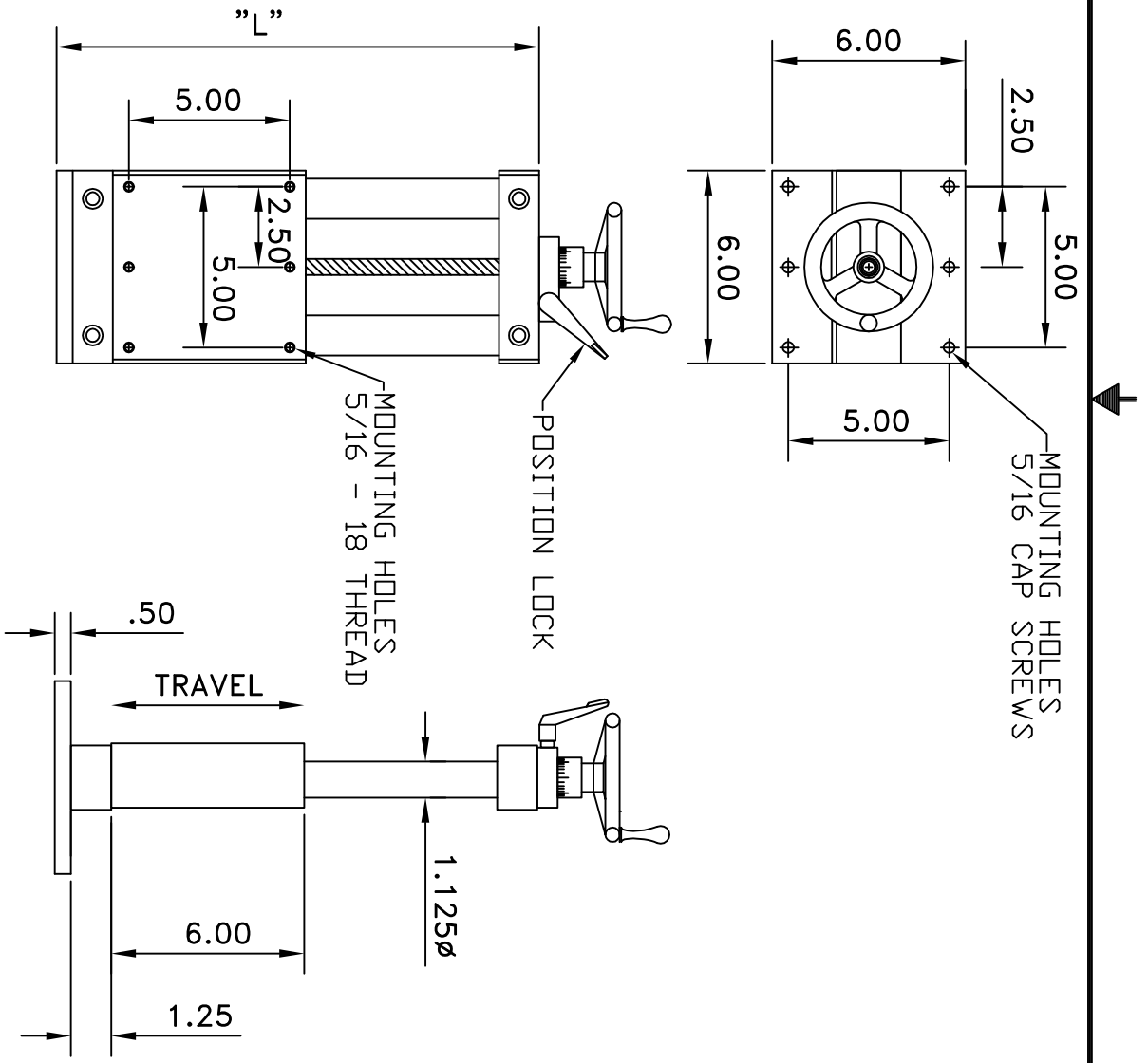


TRAVEL	" L "
2.00	11.00
4.00	13.00
6.00	15.00
8.00	17.00
10.00	19.00
12.00	21.00
14.00	23.00
16.00	25.00
18.00	27.00
20.00	29.00
22.00	31.00
24.00	33.00
26.00	35.00
28.00	37.00
30.00	39.00
36.00	45.00
48.00	57.00
72.00	81.00



DATE	DESCRIPTION	INITIAL

TOLERANCE AND MACHINING NOTES
 (UNLESS OTHERWISE SPECIFIED)
 DRAWING PRACTICES, GEOMETRIC SYMBOLS,
 DIMENSIONING, TOLERANCING AND Y14.5,
 DIMENSIONAL TOLERANCING AND
 COMPL. TO APPLY TO STOCK SIZES

1 PL DEC	2 PL DEC	3 PL DEC	ANGLES	± 0.5
± .06	± .02	± .005		

DO NOT SCALE DWG.
 UNLESS OTHERWISE SPECIFIED,
 MACHINED SURFACE FINISH IS 125/
 DIMENSIONS ARE IN INCHES.
 DEBURR ALL HOLES.
 BREAK ALL SHARP EDGES.

1049	WILLIAM FLYNN HWY. SUITE 300, GLENSHAW, PA 15116
DATE	3/05/09
DFMTM:	CFG
DFTM:	
APPD.	

GENERIC → SLIDES

PROPRIETARY NOTICE
 THIS DOCUMENT CONTAINS INFORMATION
 WHICH IS PROPRIETARY TO GENERIC SLIDES
 IT MAY NOT BE REPRODUCED, DISCLOSED
 OR UTILIZED IN WHOLE OR IN PART
 WITHOUT WRITTEN AUTHORIZATION.

DWG. TITLE:		6" VERTICAL POSITIONING SLIDE	
DWG. TITLE:		OUTLINE DRAWING	
MODEL NO.:	MS600Z	TRAVEL:	00
SCALE:	N/A	ITEM NO.:	00
		SHT.:	1
		REV.:	1
DRAWING SIZE:		A	