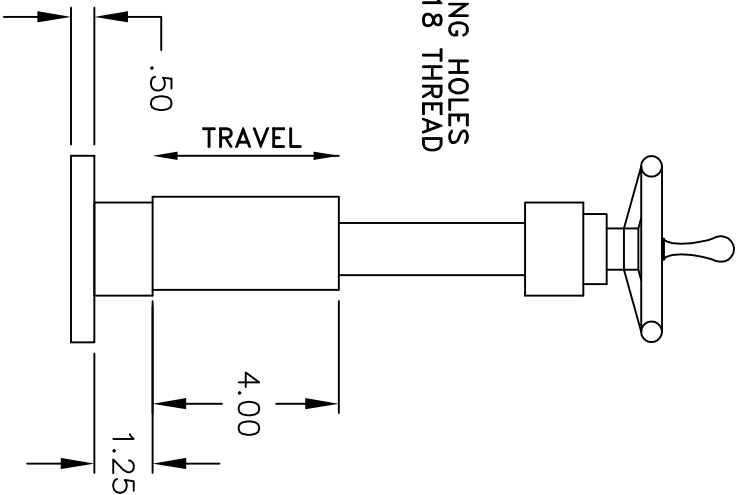
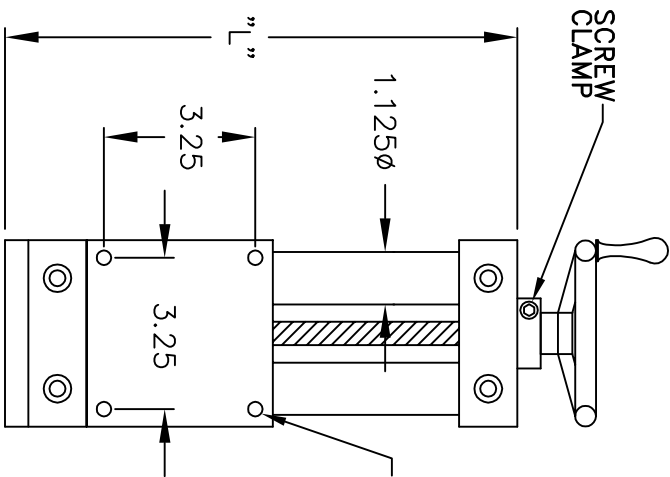
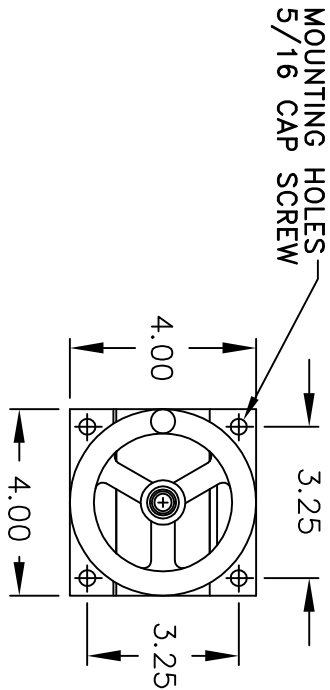


TRAVEL	" L "
1.00	8.00
2.00	9.00
3.00	10.00
4.00	11.00
5.00	12.00
6.00	13.00
8.00	15.00
10.00	17.00
12.00	19.00
14.00	21.00
16.00	23.00
18.00	25.00
24.00	31.00
30.00	37.00
36.00	43.00



DATE	INITIAL
DESCRIPTION	

TOLERANCE AND MACHINING NOTES  
(UNLESS OTHERWISE SPECIFIED)  
DRAWING PRACTICES, GEOMETRIC SYMBOLS,  
DIMENSIONING, TOLERANCING AND Y14.5,  
COMPL. TO APPLY TO STOCK SIZES

1 PL DEC	2 PL DEC	3 PL DEC	ANGLES
± .06	± .02	± .005	± 0.5

DO NOT SCALE DWG.  
UNLESS OTHERWISE SPECIFIED,  
MACHINED SURFACE FINISH IS 125/  
DIMENSIONS ARE IN INCHES.  
DEBURR ALL HOLES.  
BREAK ALL SHARP EDGES.

1049 WILLIAM FLYNN HWY. SUITE 300, GLENSHAW, PA 15116

GENERIC SLIDES

DATE: 03/05/09

**PROPRIETARY NOTICE**

THIS DOCUMENT CONTAINS INFORMATION WHICH IS PROPRIETARY TO GENERIC SLIDES OR UTILIZED IN WHOLE OR IN PART WITHOUT WRITTEN AUTHORIZATION.

DWG. TITLE: 4" VERTICAL POSITIONING SLIDE

DWG. TITLE: OUTLINE DRAWING

MODEL NO.: MS400Z

TRAVEL: 00

SCALE: N/A

DRAWING SIZE: A

ITEM NO.:	SHT.:	REV.:
00	1	1