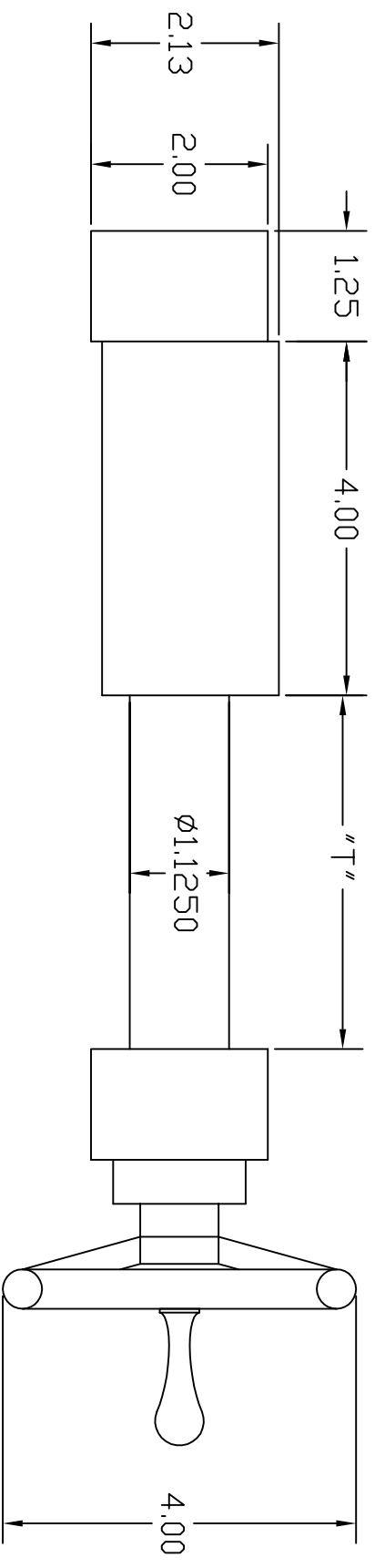
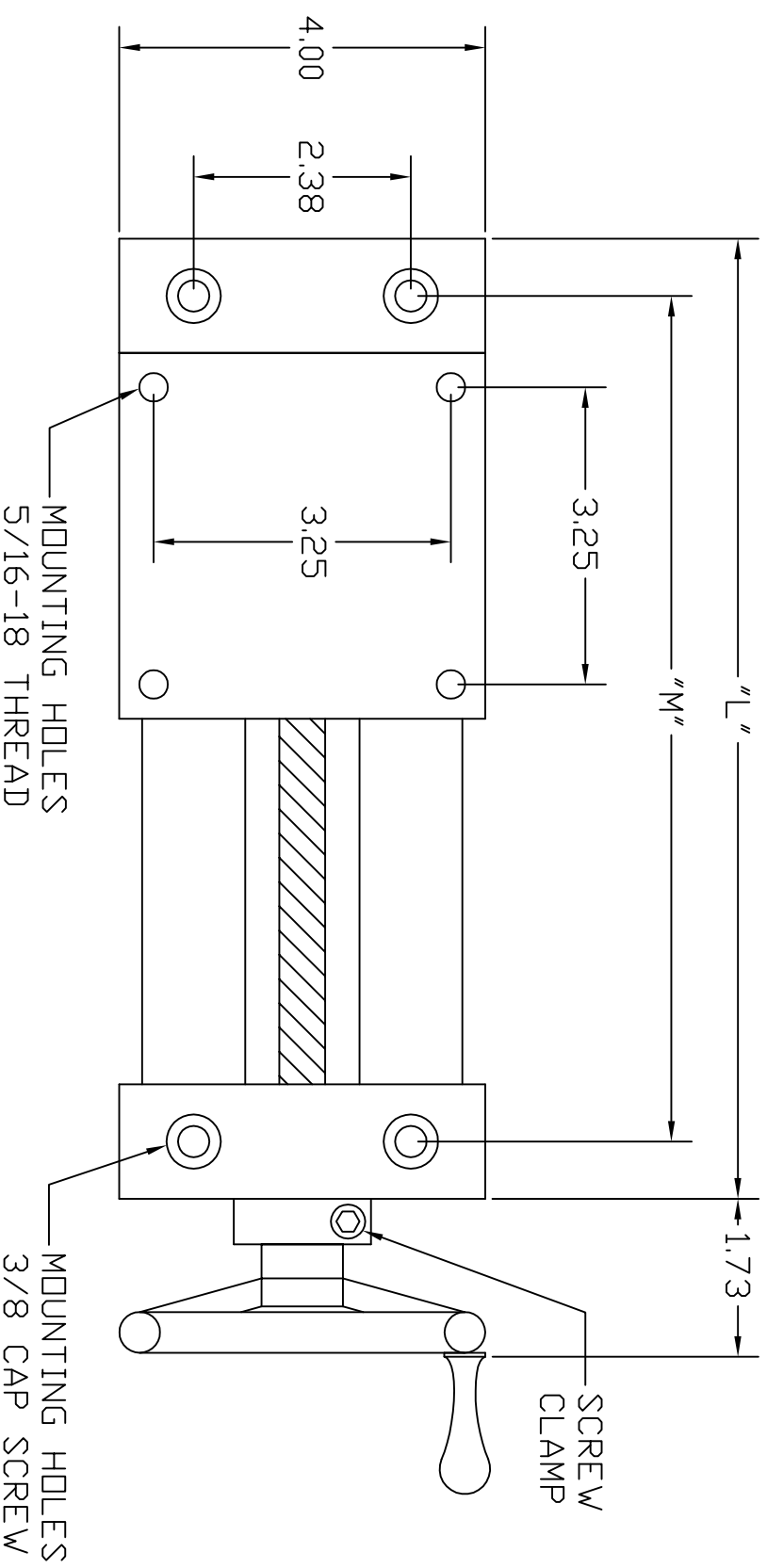


"T" TRAVEL	"L" LENGTH	"M" MTG. CTR.
1.00	7.50	6.25
2.00	8.50	7.25
3.00	9.50	8.25
4.00	10.50	9.25
5.00	11.50	10.25
6.00	12.50	11.25
8.00	14.50	13.25
10.00	16.50	15.25
12.00	18.50	17.25
14.00	20.50	19.25
16.00	22.50	21.25
18.00	24.50	23.25
24.00	30.50	29.25
30.00	36.50	35.25
36.00	42.50	41.25



<p>TOLERANCE AND MACHINING NOTES (UNLESS OTHERWISE SPECIFIED) DRAWING PRACTICES, GEOMETRIC SYMBOLS, DIMENSIONING, TOLERANCING AND INTERPRETATION BASED ON ANSI Y14.5. COML TOL. APPLT. TO STOCK SIZES.</p>			<p>DO NOT SCALE DWG. UNLESS OTHERWISE SPECIFIED, MACHINED SURFACE FINISH IS $125\sqrt{\text{IN}}$. DEBURR ALL HOLES. BREAK ALL SHARP EDGES.</p>		
1 PL DEC	2 PL DEC	3 PL DEC	ANGLES		
$\pm .06$	$\pm .02$	$\pm .005$	± 0.5		
<p>GENERIC</p>			<p>SLIDES</p>		
<p>1049 WILLIAM FLYNN HWY. SUITE 300, GLENSHAW, PA 15116</p>			<p>POSITIONING SLIDE</p>		
<p>J.F.C 1-20-99</p>			<p>MS400 SERIES OUTLINE</p>		
<p>MS400 00 00 1 1</p>			<p>N/A</p>		