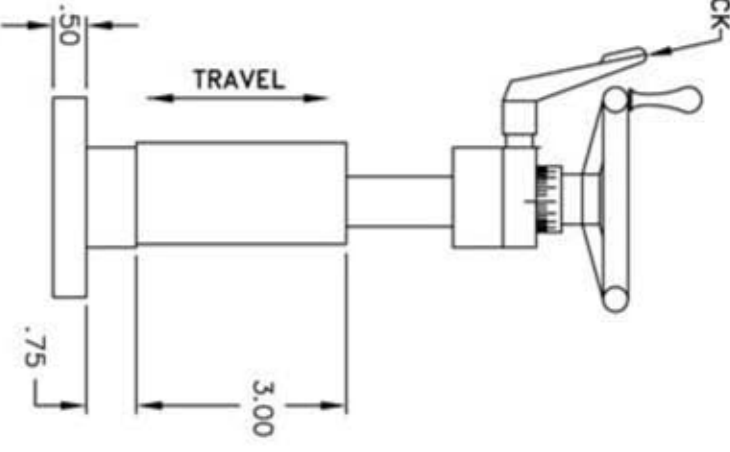
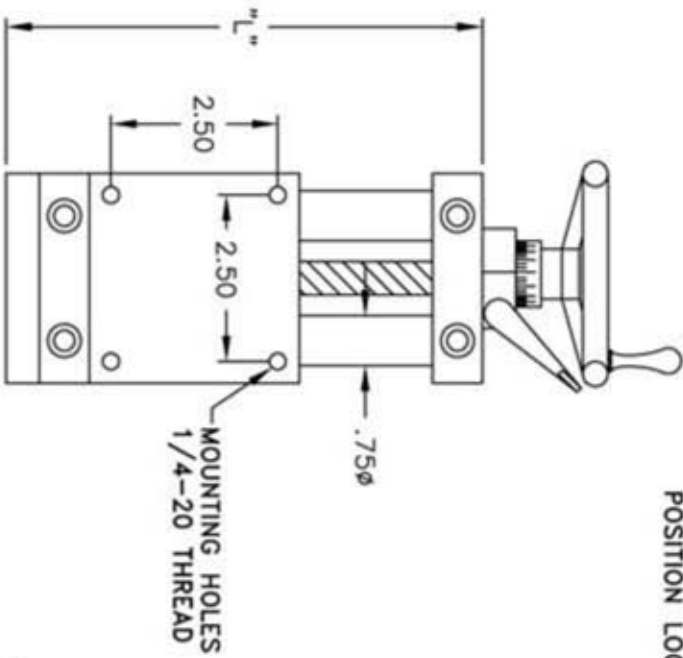
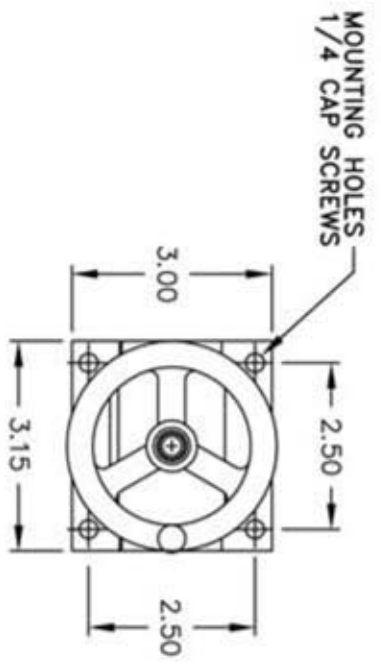


TRAVEL	" L "
1.00	6.00
2.00	7.00
3.00	8.00
4.00	9.00
5.00	10.00
6.00	11.00
8.00	13.00
10.00	15.00
12.00	17.00
14.00	19.00
16.00	21.00
18.00	23.00
24.00	29.00



DATE	INITIAL
DESCRIPTION	

<p>TOLERANCE AND MACHINING NOTES (Unless otherwise specified) GRADING PRACTICES, GEOMETRIC SYMBOLS, DIMENSIONS, TOLERANCING AND INTERPRETATION BASED ON ANSI Y14.5. COM. TOL. APPLY TO STOCK SIZES</p>			
1 R. DEC	2 R. DEC	3 R. DEC	ANGLES
± .06	± .02	± .005	± 0.5
DO NOT SCALE DWG.			
UNLESS OTHERWISE SPECIFIED, MACHINED SURFACE FINISH IS 125 DIMENSIONS ARE IN INCHES. BREAK ALL SHARP EDGES.			
GEN. ENGR.	DATE	1049 WILLIAM FLYNN HWY./SUITE 300, GLENSHAW, PA 15116	
CFG	3/3/09		
DRN.			
APPR.			

<p>PROPRIETARY NOTICE THIS DOCUMENT CONTAINS INFORMATION WHICH IS PROPRIETARY TO GENERIC SLIDES IT MAY NOT BE REPRODUCED, DISCLOSED OR UTILIZED IN WHOLE OR IN PART WITHOUT WRITTEN AUTHORIZATION.</p>				
GEN. ENGR.	DATE	1049 WILLIAM FLYNN HWY./SUITE 300, GLENSHAW, PA 15116		
CFG	3/3/09			
DRN.				
APPR.				
<p>GENERIC → SLIDES</p>				
<p>3.00" VERTICAL POSITIONING SLIDE</p>				
<p>OUTLINE DRAWING</p>				
MODEL NO.:	TRAVEL:	TRM NO.:	SHT.:	REV.:
MS315Z	00	00	1	1
SCALE: N/A		DRAWING SIZE A		